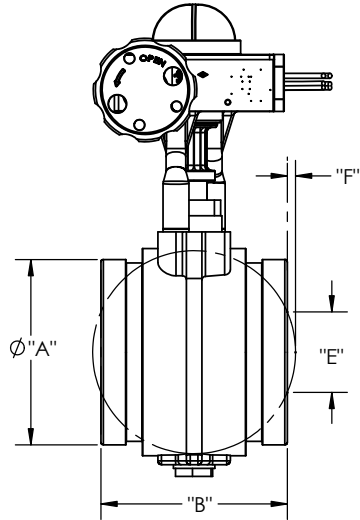
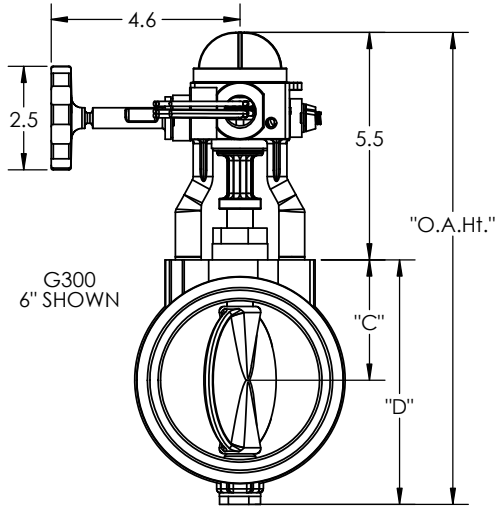


G300, G300E
G300C, G300EC
W300, W300C

INSTALLATION INSTRUCTIONS
FOR INDOOR & OUTDOOR USE



1. UPPER AND LOWER SHAFTS: 410 SS				
2. BODY COATING: EPOXY				
3. DISC ENCAPSULATION MTL: SBR OR EPDM				
	G300			
SIZE	2.5"	3"	4"	6"
A	2.85	3.47	4.47	6.61
B	3.8	3.8	4.5	5.8
C	2.2	2.4	2.9	4
D	4.3	4.8	5.9	8.1
E	N/A	N/A	N/A	1.7
F	N/A	N/A	N/A	0.1
O.A.Ht.	9.7	10.2	11.3	13.5
Wt.#	8.8	10.1	13.5	24.6

NOTE:
INTEGRAL GEARBOX
STYLE APPROVED 2015

THIS STYLE AVAILABLE ON
2.5", 3", 4" & 6" SIZES

FIRE PROTECTION PRODUCT IS NOT
NSF CERTIFIED. FOR ACQUIRING NSF61
CERTIFICATION OR USC LISTINGS,
CONTACT THE KENNEDY VALVE SALES
DEPART.

GROOVED END CONNECTIONS: FOR USE WITH STEEL GROOVED END PIPE (IPS)
MATING PIPE AND COUPLINGS TO CONFORM TO IPS STEEL PIPE DIMENSIONS
FOR OUTSIDE GROOVE AND GASKET SEATING DIMENSIONS.
SEE DIAGRAM DIM "E" FOR MINIMUM INSIDE DIAMETER OF PIPE.

PIPE CONNECTION SPECIFICATIONS-ALL VALVES RATED 300 PSI

SUPERCEDES		KENNEDY VALVE DIVISION OF MCWANE, INC. SUBMITTAL SUPPLEMENTAL	ISSUED		DRAWING	
DATE	PAGE		BY	DATE	33000-01	
N/A	N/A		BES	JAN 2020		

G300, G300E
G300C, G300EC
W300, W300C

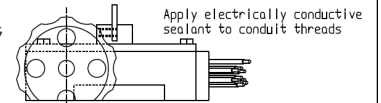
INSTALLATION INSTRUCTIONS
FOR INDOOR & OUTDOOR USE



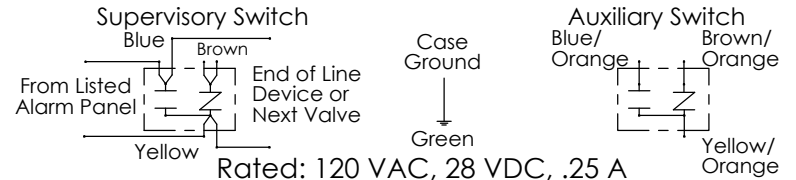
PRIOR TO INSTALLATION OF SUPERVISORY SWITCHES IN FIRE PROTECTION SYSTEMS REFER TO THE FOLLOWING STANDARDS:
NFPA 13: STANDARD FOR THE INSTALLATION OF SPRINKLER SYSTEMS
NFPA 25: INSPECTION, TESTING, MAINTENANCE OF WATER BASED FIRE PROTECTION SYSTEMS
NFPA 70: NATIONAL ELECTRICAL CODE
NFPA 72: NATIONAL FIRE ALARM CODE

CAUTION

WARNING:
METALLIC CONDUIT REQUIRED BY NEC FOR PROPER GROUNDING
CONDUIT JOINTS MUST BE SEALED WITH CONDUCTIVE SEALANT.
INSTALL SWITCH IN ACCORDANCE WITH "NATIONAL ELECTRICAL
CODE" AND/OR LOCAL ORDINANCES.
ASSURE ALL DEVICES ARE PROPERLY GROUNDED.



G300/G300E/W300E WIRING 2.5"-6": VALVE NORMALLY OPEN (G300) OR VALVE NORMALLY CLOSED (G300C, W300C, G300EC)



Rated: 120 VAC, 28 VDC, .25 A
Wiring Notes: Connection to power limited circuitry is required.
Auxiliary switch connections are not intended for electrical supervision.
Switches are checked at factory, check continuity with valve fully open (or closed for normally closed valves), switches activates within 2 turns of handwheel from open.

FIELD SERVICE OF INSTALLED VALVE
Field repair by other than factory personnel is not recommended. Consult factory before attempting any repairs. Tamper resistant tools are required. Limited internal parts available.
All replacement parts must be obtained from the manufacturer to assure proper operation of the valve and to maintain agency approval of the device.

VALVE INSTALLATION:
VALVES TO BE INSTALLED BY PERSON(S) CERTIFIED BY AUTHORITY HAVING JURISDICTION TO PERFORM
INSTALLATION IN A FIRE PROTECTION SYSTEM.

GROOVED INSTALLATION:

1. PLACE GASKET OVER PIPE OR FITTING TO WHICH VALVE IS TO BE JOINED.
2. POSITION VALVE AGAINST MATING PIPE OR FITTING.
3. SLIDE GASKET INTO POSITION ON VALVE AND INSTALL COUPLING ACCORDING TO COUPLING MANUFACTURER'S DIRECTIONS.

WAFER INSTALLATION:

1. TWO FLANGED MATING PIECES SHOULD BE PLACED AT A DISTANCE APART THAT IS SLIGHTLY LARGER THAN THE LENGTH OF THE VALVE (DIM "B")
2. A MINIMUM OF 2 STUDS SHOULD BE PLACE THROUGH ADJACENT FLANGE HOLES TO SUPPORT VALVE.
3. PLACE VALVE BETWEEN THE FLANGES.
4. INSTALL REMAINING STUDS AND CONFIRM VALVE IS PROPERLY LOCATED.
5. TIGHTEN STUDS IN AN ALTERNATING PATTERN UNTIL DESIRED TORQUE IS REACHED.

VALVE SIZE	2.5"	3"	4"	6"
ANSI 125 LB FLANGE	4	4	8	8
NUMBER OF STUDS	4	4	8	8
STUD SIZE (in)	5/8	5/8	5/8	3/4
ISO PN16 FLANGE	4	8	8	8
NUMBER OF STUDS	4	8	8	8
STUD SIZE (mm)	16	16	16	20

SUPERCEDES		KENNEDY VALVE DIVISION OF MCWANE, INC. SUBMITTAL SUPPLEMENTAL	ISSUED		DRAWING	
DATE	PAGE		BY	DATE	33000-01	
N/A	N/A		BES	JAN 2020		