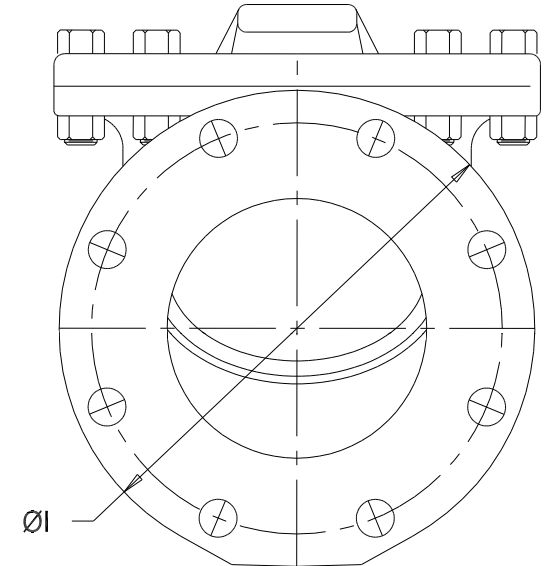
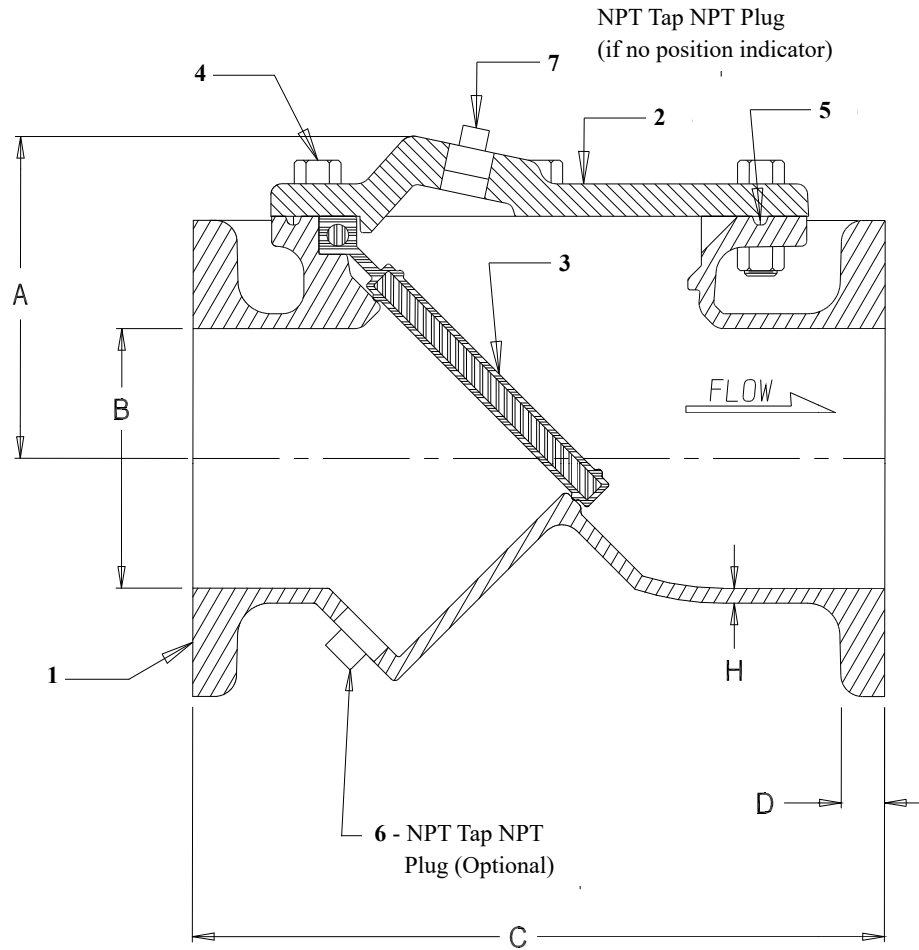




KENNEDY VALVE

KENFLEX CHECK VALVE SIZES 3" - 12"

Fig. 506



E
F
G

DIMENSIONS									
SIZE	A (Approx.)	ØB	C	D (Nom.)	E	F	G	H (Nom.)	I
3	5.37	4.00	13	1.00	6.00	4	Tap See Above	0.31	9.0
4	5.37	4.00	13	1.00	7.50	8	0.75	0.31	9.0
6	7.45	6.00	16	1.06	9.50	8	0.88	0.34	11.0
8	8.77	8.00	19.5	1.19	11.75	8	0.88	0.34	13.5
10	10.20	10.00	24.5	1.25	14.25	12	1.00	0.38	16.0
12	11.61	12.00	27.5	1.28	17.00	12	1.00	0.41	19.0

PARTS LIST			
No.	PART	MATERIAL	ASTM DESIGNATION
1	Body (FLG x FLG)	Ductile Iron, Coated	ASTM A536 GR 65-45-12
2	Cover Plate	Ductile Iron, Coated	ASTM A536 GR 65-45-12
3	Flapper	EPDM Flapper, Met. Insert	A536 DI/D-2000 BK 807
4	Cover Bolts & Nuts	Stainless Steel	Stainless Steel 18-8 F593
5	O-ring	Nitrile (Buna-N)	ASTM D2000
6	NPT Plug	SS304	---
7	NPT Plug	Stainless Steel	---

E - Bolt Circle Diameter End Flange

F - Number of Bolts Req'd Each End Flange

G - Bolt Hole Diameter for End Flange

End Flanges conform to ANSI B16.1 3"

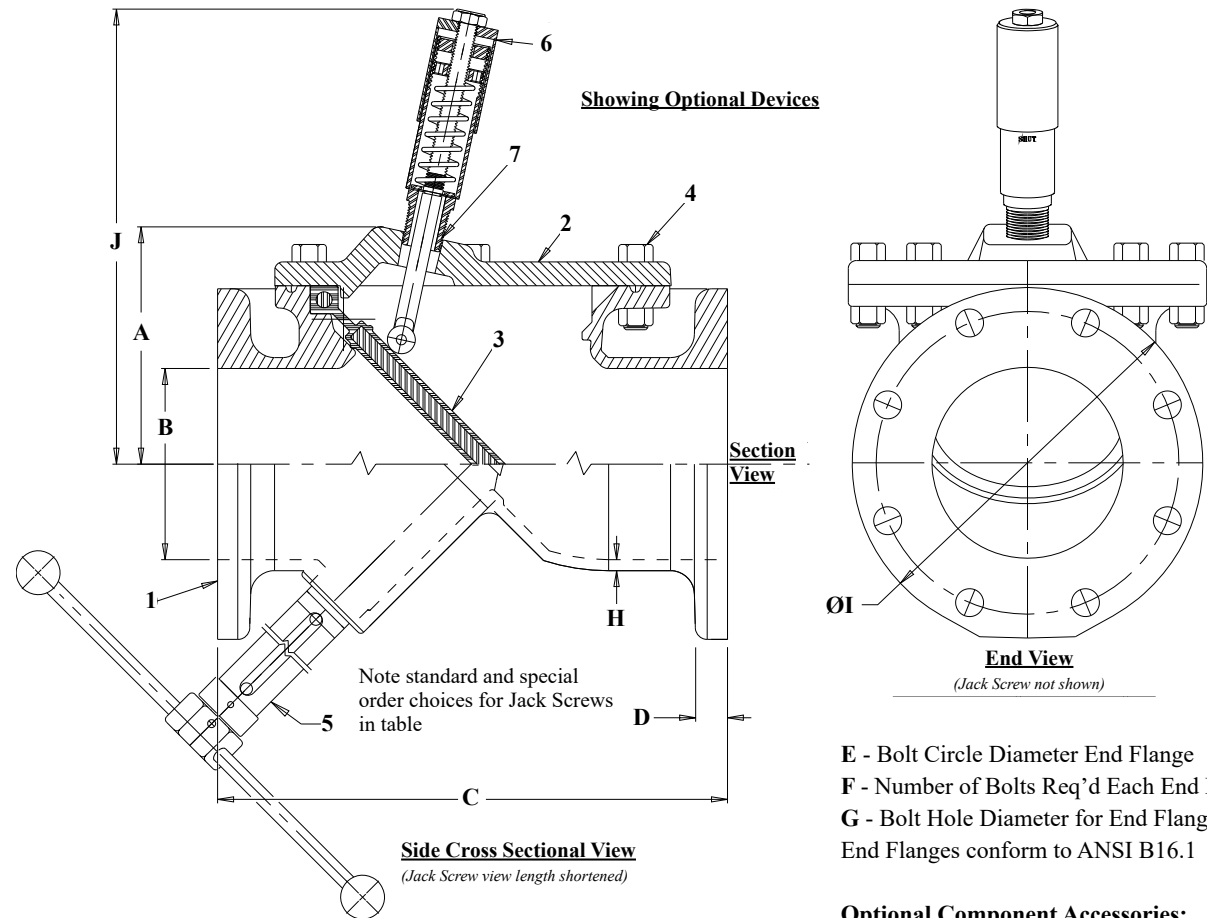
Valve (4) 0.625UNC-11-2B tapped holes (C) straddle C.L. similar to other sizes



KENNEDY VALVE

KENFLEX CHECK VALVE WITH OPTIONAL DEVICES SIZES 3" - 12"

Fig. 506



E - Bolt Circle Diameter End Flange
 F - Number of Bolts Req'd Each End Flange
 G - Bolt Hole Diameter for End Flange
 End Flanges conform to ANSI B16.1

Optional Component Accessories:

1. Standard Jack Screws;
 - 4" --> 448104P --> Stainless Steel
 - 6/8" --> 448006P --> Painted Steel
 - 10/12" --> 448010P --> Painted Steel
2. Special Order Jack Screws;
 - 4" Stainless now available as standard
 - 6/8" --> 448106P --> Stainless Steel
 - 10/12" --> 448110P --> Stainless Steel
 - Note that the 448004P (4" Painted Steel) option is no longer available as of May 2018.
3. Position Indicator --> 448100P

DIMENSIONS										
SIZE	A (Approx.)	ØB	C	D (Nom.)	E	F	G	H (Nom.)	I	J (Approx.)
3	5.37	4.00	13	1.00	6.00	4	Tap Sec Above	0.31	9.0	12.21
4	5.37	4.00	13	1.00	7.50	8	0.75	0.31	9.0	12.21
6	7.45	6.00	16	1.06	9.50	8	0.88	0.34	11.0	14.28
8	8.77	8.00	19.5	1.19	11.75	8	0.88	0.34	13.5	15.61
10	10.20	10.00	24.5	1.25	14.25	12	1.00	0.38	16.0	17.04
12	11.61	12.00	27.5	1.28	17.00	12	1.00	0.41	19.0	18.45

PARTS LIST		
No.	PART	MATERIAL
1	Body	Ductile Iron, Coated
2	Cover Plate	Ductile Iron, Coated
3	Flapper	EPDM Flapper, Met. Insert
4	Cover Bolts & Nuts	Steel (Standard)
5	Standard - Back Flow Jack Subassembly	See notes
	Special Order - Back Flow Subassembly	See notes
6	NPT Plug	Stainless Steel Ext. Components
7	NPT Plug	Stainless Steel