



KENNEDY VALVE



# UL/FM BUTTERFLY VALVES



Designed for the Fire Protection Industry

Sizes: 2-1/2", 3", 4", 6", 8"

300 PSI Rated

Double Seal Design for Bubble Tight Shut Off

Outdoor Rated

C.S.F.M Listed

Lightweight

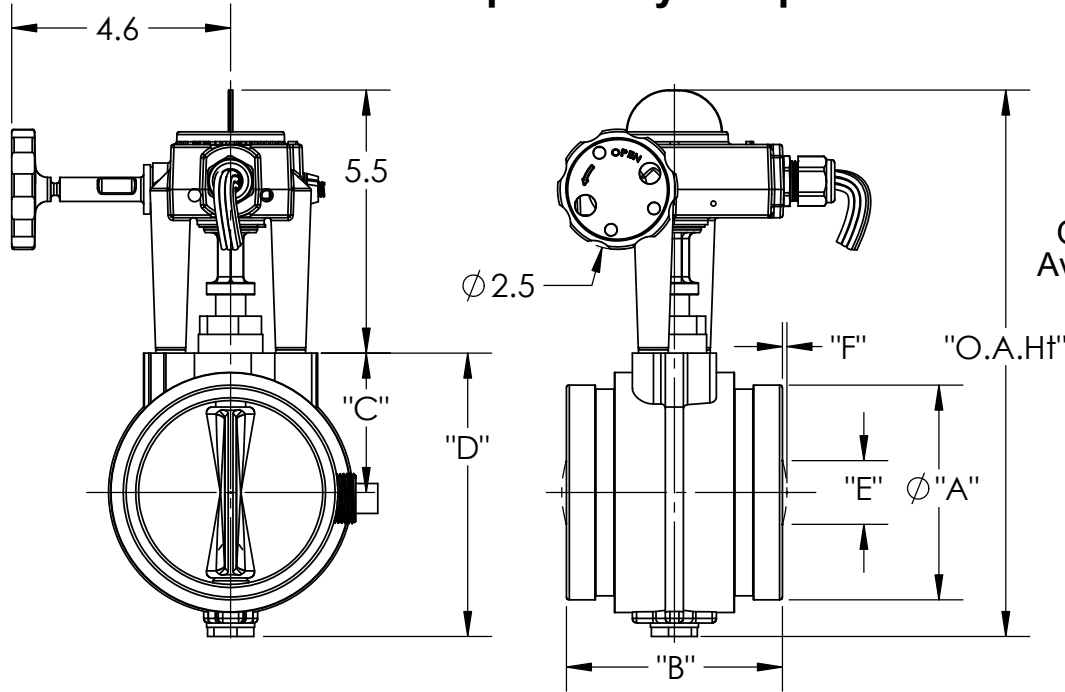
Corrosion Resistant Fusion Bonded Coating

Low Torque Operation

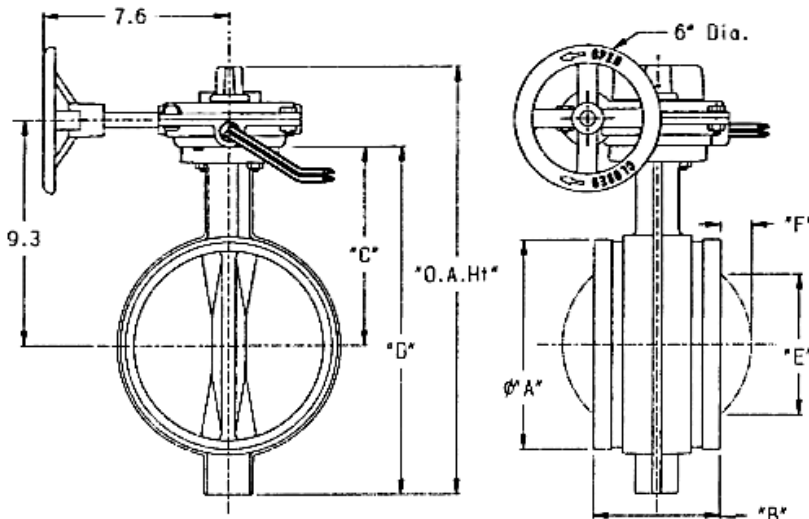
Easy to Read Flag Type Indicator

**KENNEDY VALVE**  
**Division of McWane, Inc.**  
**1021 East Water St., Elmira, NY 14901 (607) 734-2211**

**Grooved End Butterfly Valves 2 1/2" to 8"**  
**Figure G300/G300C & 01G 300 psi**  
**with Supervisory Tamper Switch**



2-1/2" to 6"  
 G300/G300C  
 Outdoor Rated UL/FM  
 Available Normally Open  
 and Normally closed



8" Only  
 01G  
 Outdoor Rated UL

1. UPPER AND LOWER SHAFTS 410SS/416SS					
2. BODY COATING: EPOXY					
3. DISC ENCAPSULATION MTL: EPDM					
	G300				01G
SIZE	2 1/2"	3"	4"	6"	8"
A	2.85	3.47	4.47	6.61	8.6
B	3.8	3.8	4.5	5.8	5.2
C	2.2	2.4	2.9	4.0	8.2
D	4.3	4.8	5.9	8.1	14.3
E	N/A	N/A	N/A	1.7	5.9
F	N/A	N/A	N/A	.1	1.3
O.A. HT	10.0	10.4	11.6	13.8	17.6
WT.#	8.8	10.1	13.5	24.6	44

Note: "E will be MINIMUM allowed pipe I.D.  
 Exercise care handling and installing



# KENNEDY VALVE

Division of McWane, Inc.



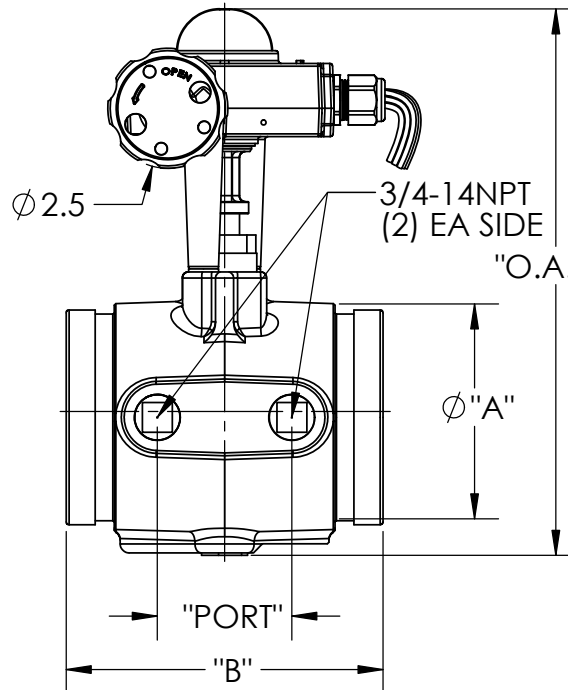
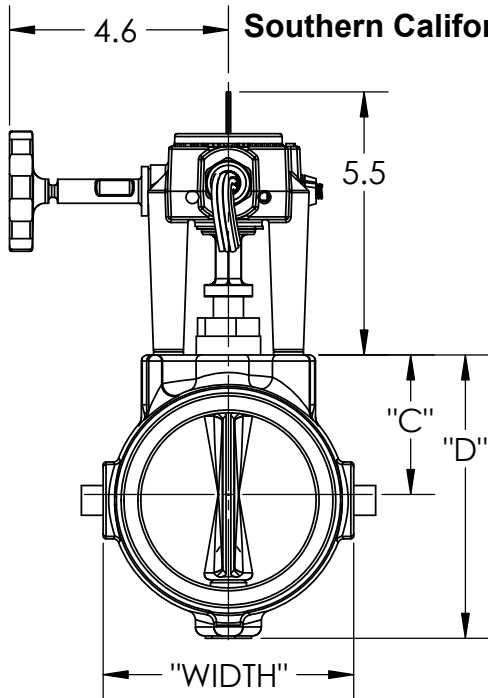
1021 East Water St., Elmira, NY 14901 (607) 734-2211

Grooved End Butterfly Valves 2 1/2" to 8"

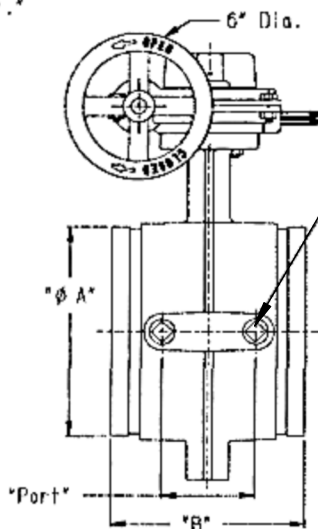
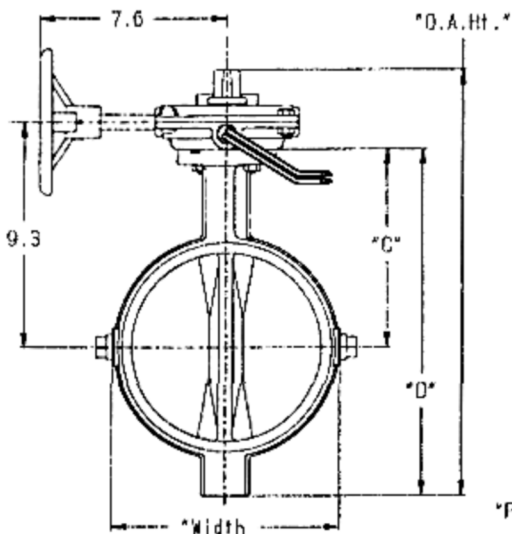
Figure G300E/G300EC & 02G 300 psi

with Supervisory Tamper Switch

- Extended Length Valves Equipped with Four 3/4" NPT Ports
- Wetted Components NSF Certified 2.5"-8"
- 4" to 8" sizes have been approved by the Foundation for Cross Connection Control and Hydraulic Research at the University of Southern California



2-1/2" to 6"  
G300E/G300EC  
Outdoor Rated UL/FM  
Available Normally  
Open and Normally  
Closed



8" Only  
02G  
Outdoor Rated UL

3/4-14NPT  
(2) EA SIDE

1. UPPER AND LOWER SHAFTS  
410SS/416SS
2. BODY COATING: EPOXY
3. DISC ENAPSULATION MTL:  
EPDM

SIZE	G300E				02G
	2 1/2"	3"	4"	6"	8"
A	2.85	3.47	4.47	6.61	8.6
B	6.0	6.3	6.6	6.9	7.9
C	2.2	2.4	2.9	4.0	8.2
D	4.3	4.8	5.9	8.1	14.3
WIDTH	3.7	4.2	5.2	7.4	9.3
PORT	2.3	2.6	2.8	3.1	2.3
O.A. HT	10.0	10.4	11.6	13.8	17.6
WT.#	12.5	14.5	18	28	55

Note: Disc does not protrude past the "B" dimension of the body on any size in the open position. Exercise care handling and during installation



# KENNEDY VALVE

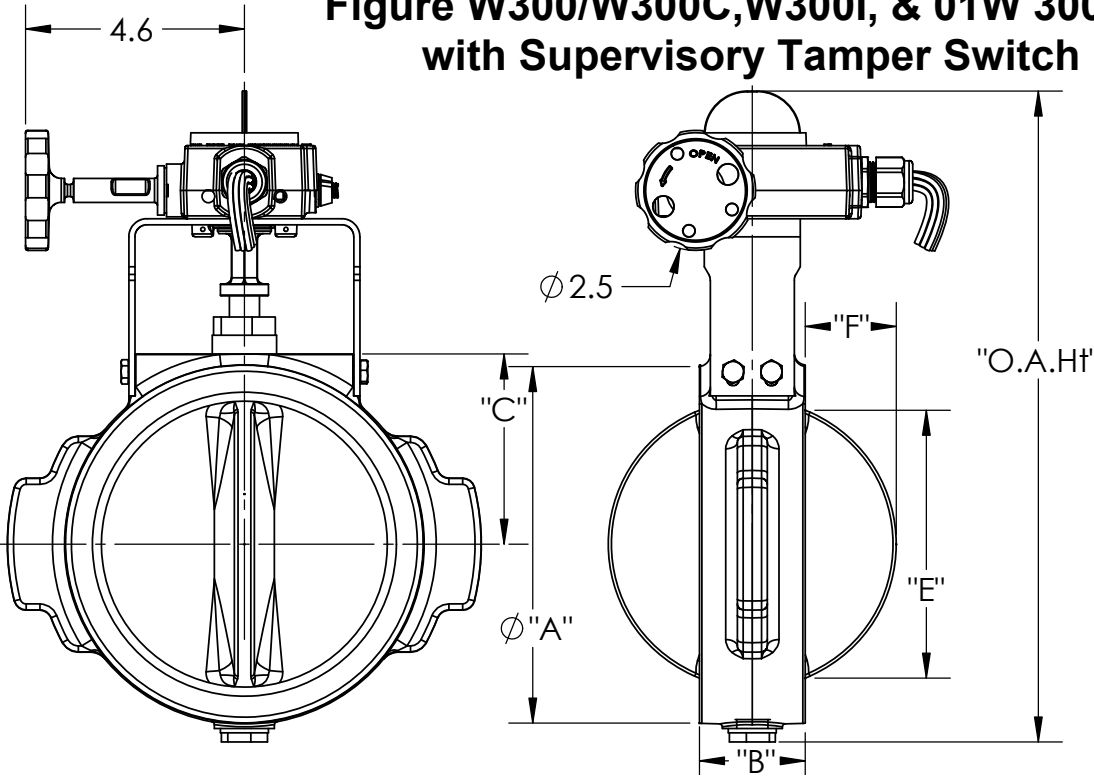
Division of McWane, Inc.



1021 East Water St., Elmira, NY 14901 (607) 734-2211

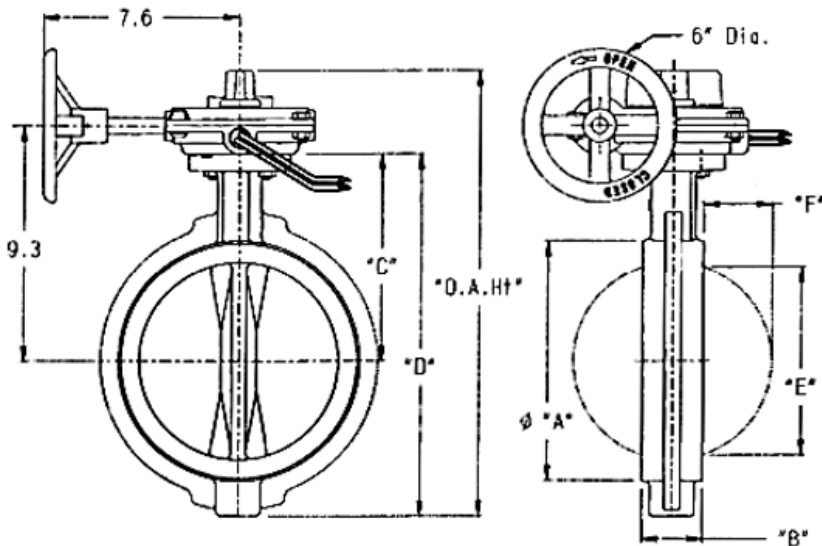
## Wafer Butterfly Valves 2 1/2" to 8"

### Figure W300/W300C, W300I, & 01W 300 psi with Supervisory Tamper Switch



Valve Selection for ISO PN16 Flange	
Flange Size	KV Model
65MM	2 1/2" W300
80MM	3" W300I
100MM	4" W300I
150MM	6" W300

2-1/2" to 6"  
W300/W300C/W300I  
Outdoor Rated UL/FM  
Available Normally  
Open and Normally  
Closed



8" Only  
01W  
Outdoor Rated UL

WAFER BOLTING					
SIZE	2-1/2"	3"	4"	6"	8"
Number of Studs	4	4	8	8	8
Stud Size (Inch)	5/8	5/8	5/8	3/4	3/4
Stud Length Min (inch)	5.5	5.5	6.5	7	7.5
Recommended Min Torque (Ft Lbs)	30	30	30	40	50

SIZE	W300, W300I				01W
	2 1/2"	3"	4"	6"	8"
A	4.2	4.4	5.3	7.5	9.5
B	1.8	1.8	2.0	2.2	2.4
C	2.2	2.4	2.9	4.0	8.2
D	4.3	4.8	5.9	8.1	14.3
E	1.7	4.2	3.3	5.6	9.3
F	.4	.6	.9	1.9	2.7
O.A. HT	10.0	10.4	11.6	13.8	17.6
WT.#	10.5	11.1	13.8	20.5	44

Dimensions B, D, and E are referenced in Installation Instructions  
"E" is MINIMUM allowed Pipe I.D.  
Exercise care handling and during Installation

**BUTTERFLY VALVE-  
G300/G300E/G300C/G300EC/W300/W300E/W300C/W300EC/W300I/01G/02G/01W  
SUPPLEMENTARY INSTALL INSTRUCTIONS**

**Information shown here is intended to supplement, not replace, instructions that are shipped with each valve.  
Dimensional information regarding minimum pipe I.D. and disc protrusion are shown on dimensional page for particular valve.  
Exercise care handling and during assembly.**

**Grooved Body**

For use with grooved end in steel pipe (IPS)

see valve dimensional information for min. pipe I.D. (dimension E)

Valves shall be installed by person(s) certified to install grooved end fittings in a fire protection system by authority having jurisdiction

1. Place gasket over pipe or fitting to which valve will be joined
2. Position valve against mating pipe/fitting
3. Slide gasket into position on valve and adjacent pipe/fitting and install coupling according to coupling manufacturer's instructions

**Wafer Body**

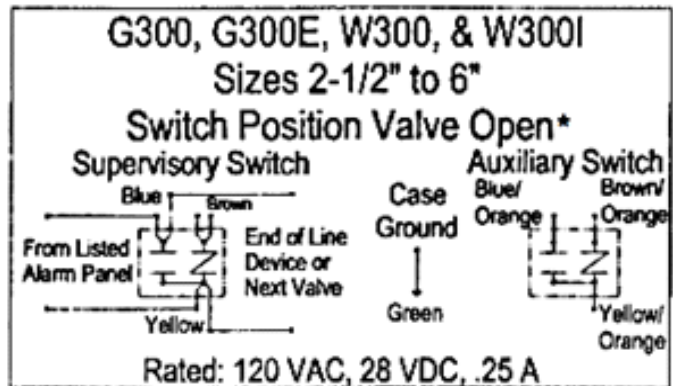
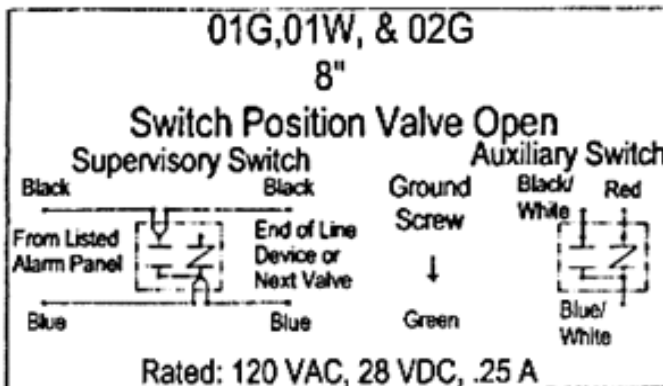
For installation between two ANSI B16.1, 125lb. flanges

see valve dimensional information for min. pipe I.D. (dimension E)

1. Two flanged mating pieces should be placed at a distance apart that is slightly more than the thickness of the body (dimension B on wafer table)
2. A minimum of 2 studs shall be placed through adjacent flange holes so that the lower trunnion of the valve can fit between them. Normally this is the bottom 2 holes if the valves will be vertical with open/closed indicator on top
3. Place the valve between the flanges taking care to not disturb the body gaskets.
4. Place remaining studs around the valve and tighten using an alternating pattern until desired torque is reached

**Switch Wiring**

1. Valve has internal switches that operate from the OPEN position. Normally Closed valves are an option(W300C/G300C/G300EC), and operate from CLOSED position
2. One switch has dual leads that is for connection to the SUPERVISORY circuit of an alarm panel. The other switch has single leads and is intended to be connected to AUXILIARY equipment
3. Tuck unused leads into junction box (not provided)
4. Always comply with national codes, local codes and NFPA 13/71 and 72





**Kennedy Valve**  
**A Division of McWane Inc**  
**[www.kennedyvalve.com](http://www.kennedyvalve.com)**

**2020**

**1021 E Water St. Elmira, NY 14901**

**P.O. Box 981**

**Phone (607) 734-2211 Fax: 1-800-952-4771**